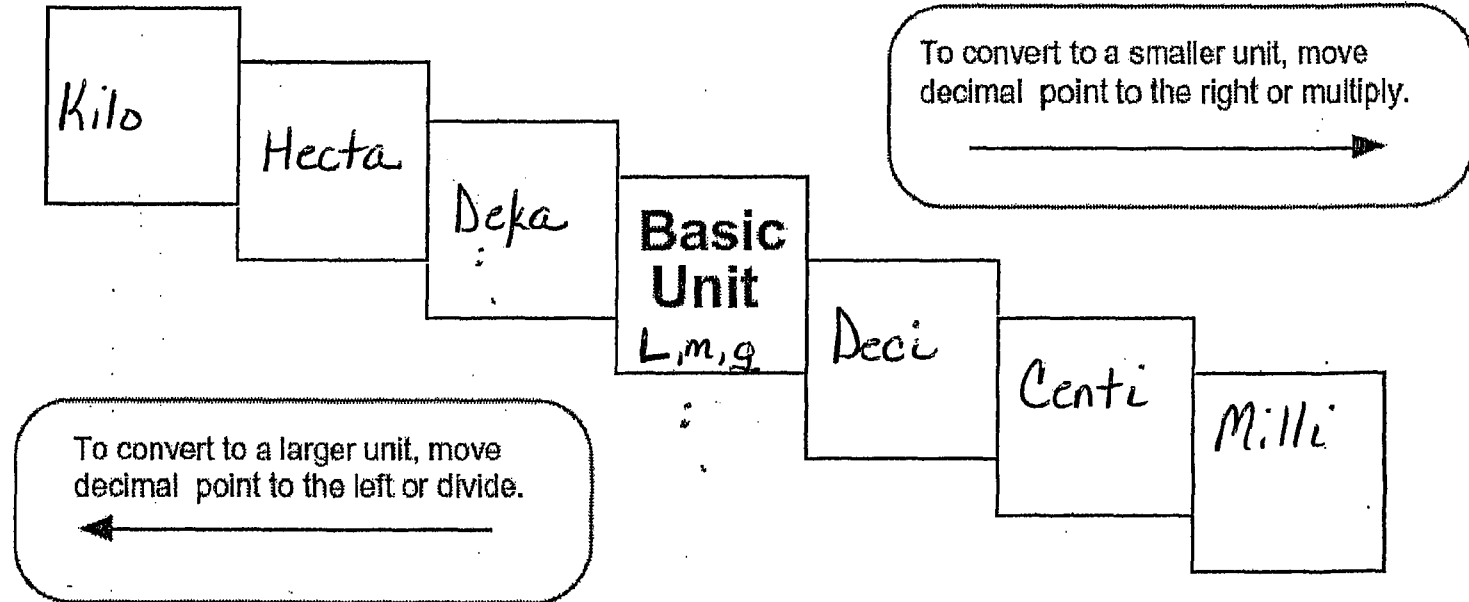


Metric Mania

Metric Conversions

Name _____

Fill in the boxes in the stair step diagram.



Write the correct abbreviation for each metric unit.

1) Kilogram _____

4) Milliliter _____

7) Kilometer _____

2) Meter _____

5) Millimeter _____

8) Centimeter _____

3) Gram _____

6) Liter _____

9) Milligram _____